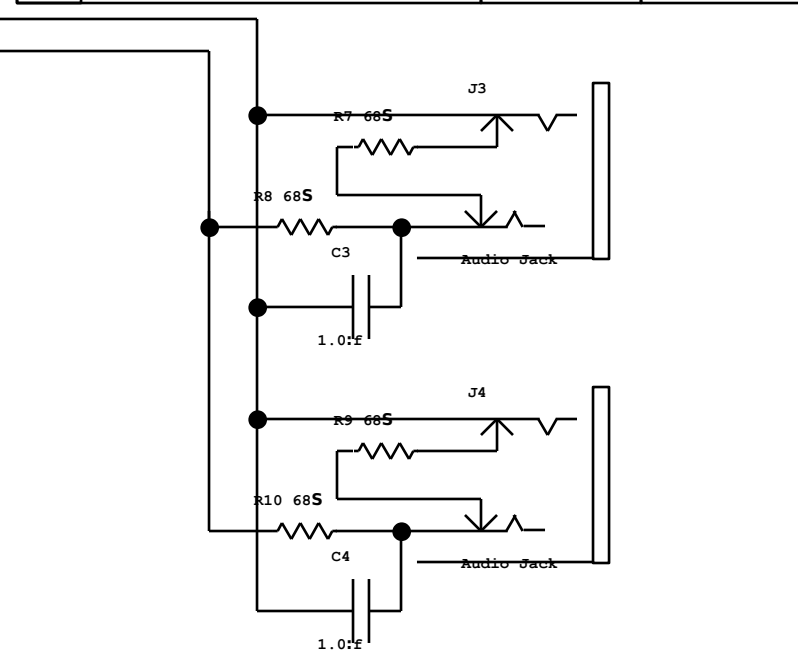
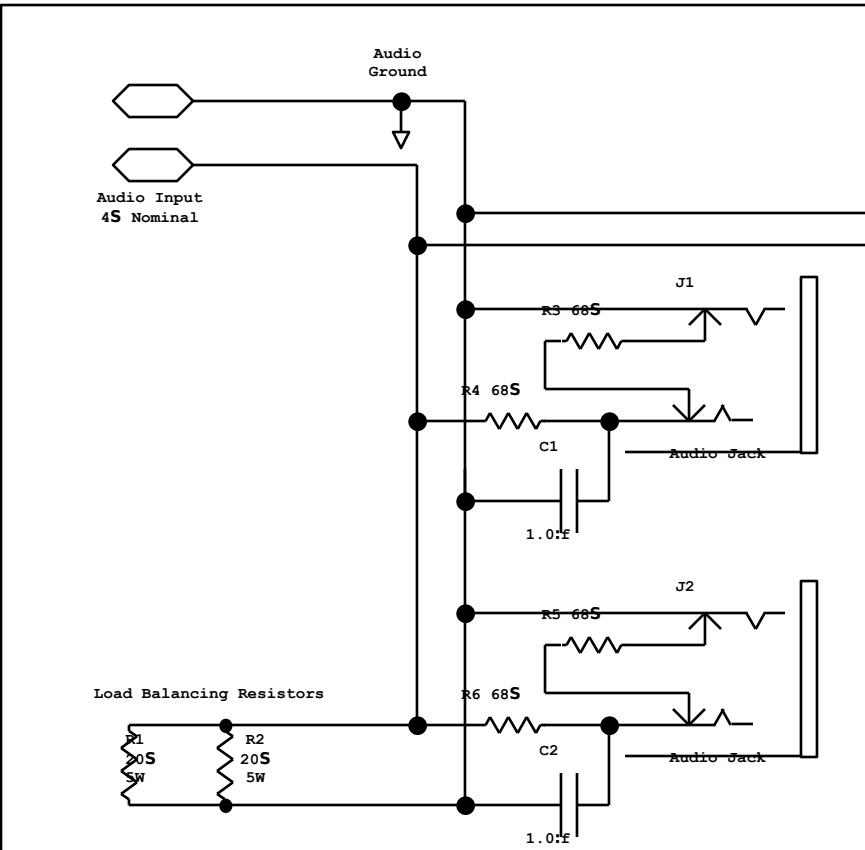


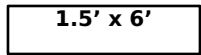
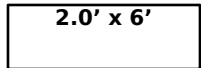
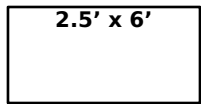
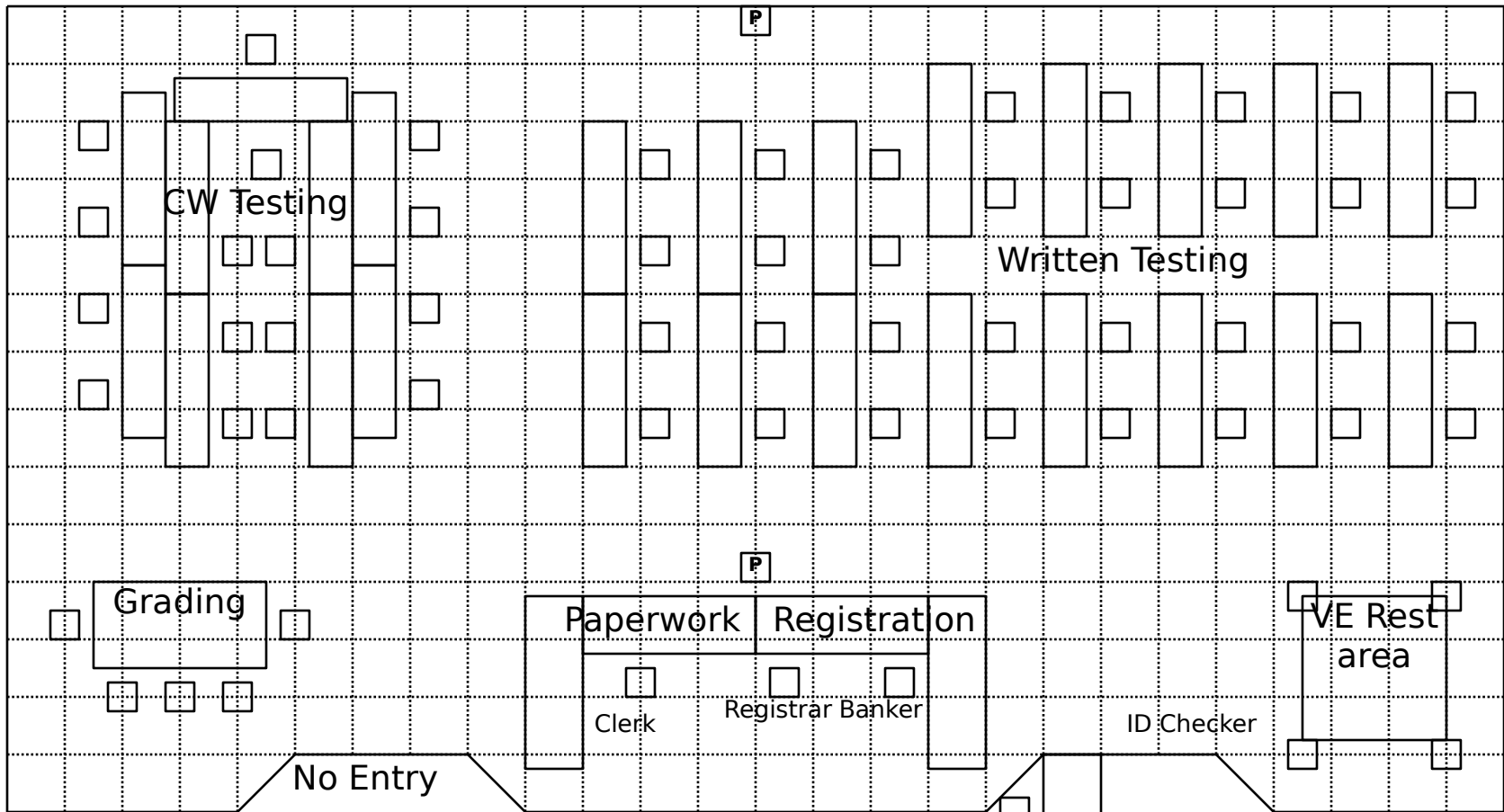
REVISIONS			
REV	DESCRIPTION	DATE	APPROVED
-	Original release	5/5/95	



Notes:

- 1) Four of 16 circuits shown, all parts Radio Shack Part Numbers
- 2) 30Watt PA Amplifier, #32-2034
- 3) Nova 35 stereo headphones, #33-1100
- 4) 3 Conductor Mini-jacks, #274-246
- 5) 20 Ft. microphone extension cables, #42-2462
- 6) 1 Ft. cable with volume control, #42-2459

		Audio Distribution Panel	
		Glenn E. Cabana, WA1HMF	Charles F. Hunt, KC10X
SIZE	DWG NO	REV	
A			
SCALE	SHEET		1 of 1



□ Seat P Post

Scale: 2 x 2 Grid